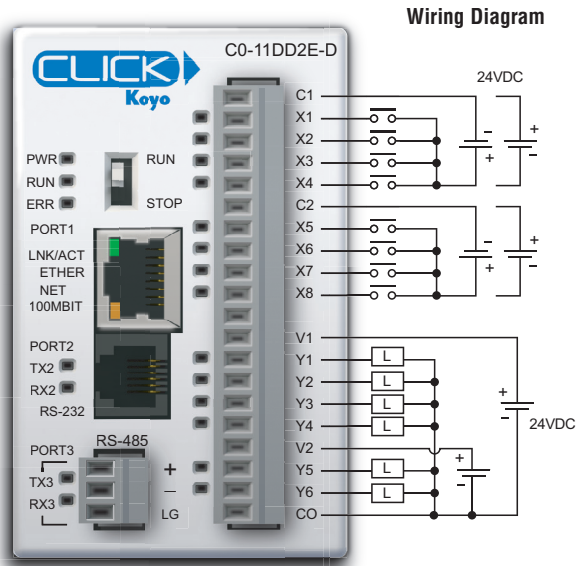


# Ethernet Standard PLC

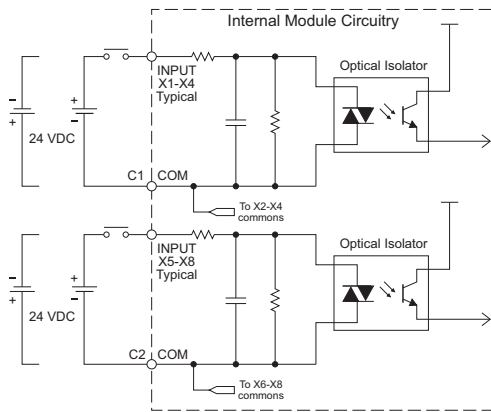
## C0-11DD2E-D

8 DC Input/6 Sourcing DC Output Micro PLC

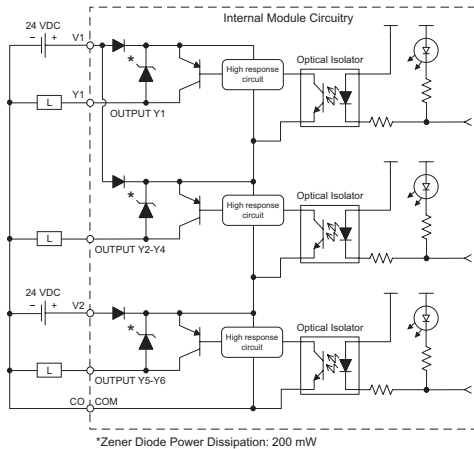


**NOTE:** When using Ethernet Standard PLCs, you must use CLICK programming software version V2.00 or later.

### Equivalent Input Circuit



### Equivalent Output Circuit



\*Zener Diode Power Dissipation: 200 mW

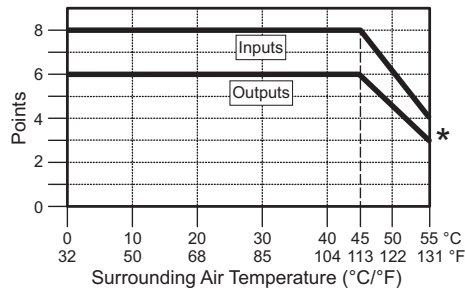
C0-11DD2E-D Built-in I/O Specifications - Inputs	
<b>Inputs per Module</b>	8 (Sink/Source)
<b>Operating Voltage Range</b>	24 VDC
<b>Input Voltage Range</b>	21.6 - 26.4 VDC
<b>Input Current</b>	Typ 6.5 mA @ 24 VDC
<b>Maximum Input Current</b>	7.0 mA @ 26.4 VDC
<b>Input Impedance</b>	3.9 kΩ @ 24 VDC
<b>ON Voltage Level</b>	> 19 VDC
<b>OFF Voltage Level</b>	< 2 VDC
<b>Minimum ON Current</b>	4.5 mA
<b>Maximum OFF Current</b>	0.5 mA
<b>OFF to ON Response</b>	Typ 5 μs Max 20 μs
<b>ON to OFF Response</b>	Typ 5 μs Max 20 μs
<b>Status Indicators</b>	Logic Side (8 points, green LED)
<b>Commons</b>	2 (4 points/common) Isolated

C0-11DD2E-D Built-in I/O Specifications - Outputs	
<b>Outputs per Module</b>	6 (Source)
<b>Operating Voltage Range</b>	24 VDC
<b>Output Voltage Range</b>	19.2-30 VDC
<b>Maximum Output Current</b>	0.1 A/point, 0.6 A/common
<b>Minimum Output Current</b>	0.2 mA
<b>Maximum Leakage Current</b>	0.1 mA @ 30 VDC
<b>On Voltage Drop</b>	0.5 VDC @ 0.1 A
<b>Maximum Inrush Current</b>	150 mA for 10 ms
<b>OFF to ON Response</b>	Max. 0.5 μs
<b>ON to OFF Response</b>	Max. 0.5 μs
<b>Status Indicators</b>	Logic Side (6 points, red LED)
<b>Commons</b>	1 (6 points/common)

### General Specifications

<b>Current Consumption at 24VDC</b>	140 mA
<b>Terminal Block Replacement Part No.</b>	C0-16TB
<b>Weight</b>	5.0 oz (140g)

### C0-11DD2E-D Temperature Derating Chart



\* Use every other input.

### ZIPLink Pre-Wired PLC Connection Cables and Modules

ZL-RTB20 20-pin feed-through connector module



20-pin connector cable  
 ZL-C0-CBL20 (0.5 m length)  
 ZL-C0-CBL20-1 (1.0 m length)  
 ZL-C0-CBL20-2 (2.0 m length)

